

Motorcycle  
Combo Stand  
NR 1127™

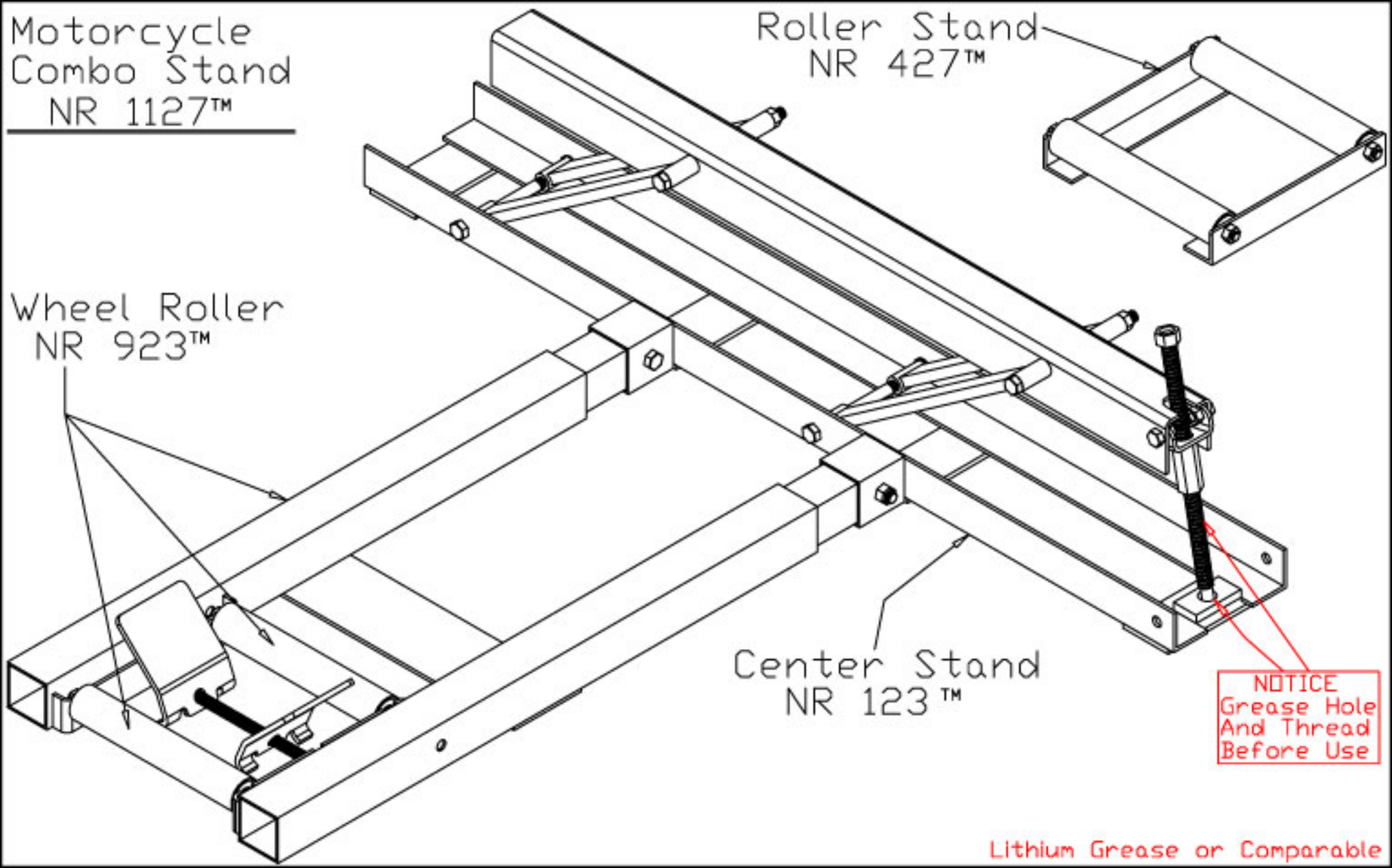
Roller Stand  
NR 427™

Wheel Roller  
NR 923™

Center Stand  
NR 123™

NOTICE  
Grease Hole  
And Thread  
Before Use

Lithium Grease or Comparable



# Motorcycle Center Stand NR 123™

Do Not Over-Tighten Nuts

Threaded Lift Bar

**NOTICE**  
Swab Thread  
With Grease  
Before Use

Top Channel

Bolt & Nut  
.375 DIA  
2 Required  
(5.00" Lg. Bolt)

Cross-Link  
4 Required

Washer  
4 Required

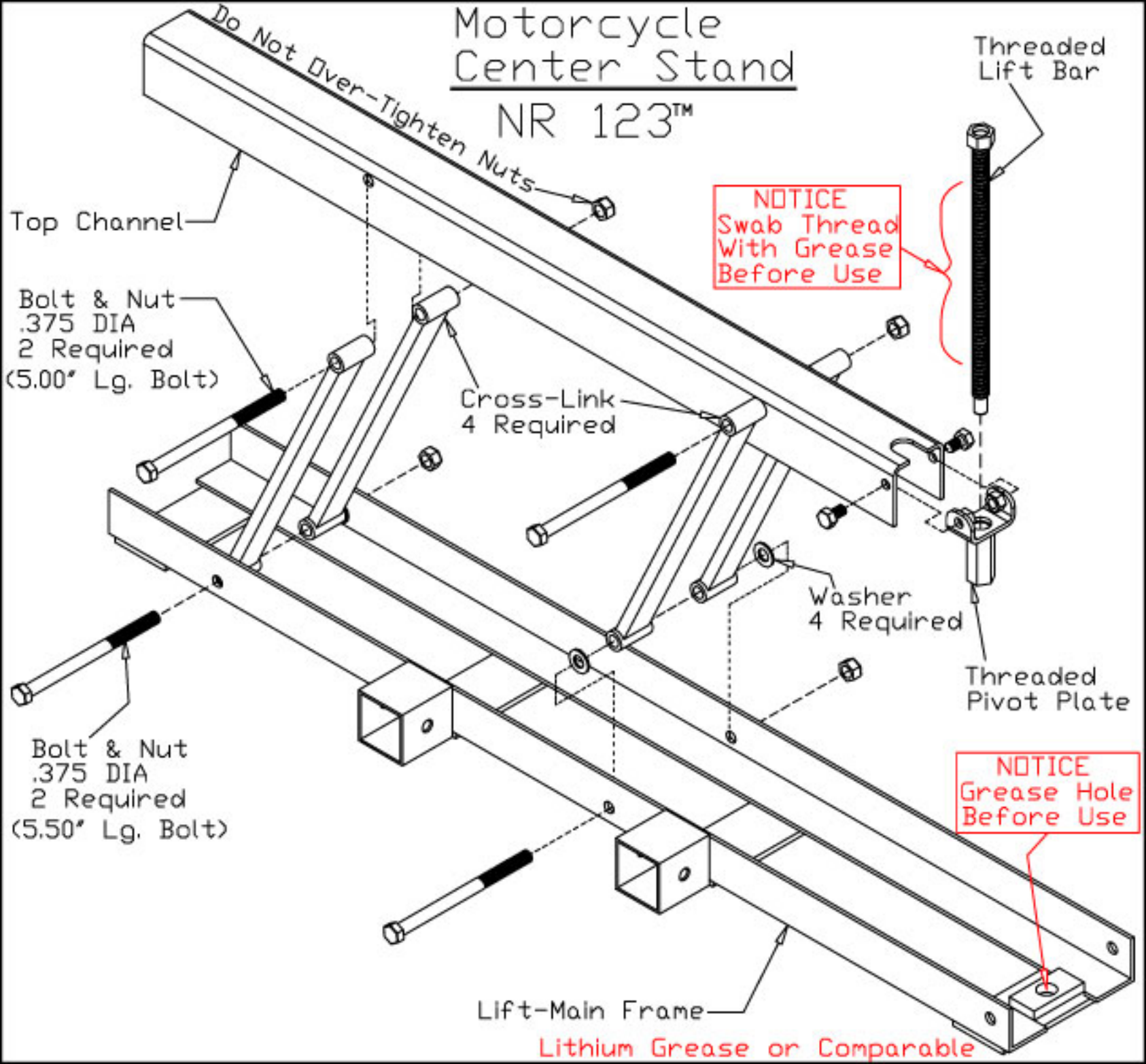
Threaded  
Pivot Plate

Bolt & Nut  
.375 DIA  
2 Required  
(5.50" Lg. Bolt)

**NOTICE**  
Grease Hole  
Before Use

Lift-Main Frame

Lithium Grease or Comparable



# Wheel Roller NR 923™ & Roller Stand NR 427™

Wheel Side Plate  
2 Required Typical

Front Roller  
2 Required

Roller Stand NR 427™

Wheel Roller NR 923™

SLIDE  
into  
SLOTS

Bolt & Nut  
.375 DIA  
2 Required

Adjustable Tube  
2 Required

